

Multi-Head Seamer

FOR ANY ROUND CAN



ZACMi®
FOOD & BEVERAGE PLANTS

ZACMI consolidated knowhow

Through more than 35 years' experience and more than 350 installed units, Multi-Head Seamers represent the most innovative closing solution for any rigid round can.

General features

- Speed range from 100 to 1600 cans/min.
- Round cans: tin plate, aluminium, cardboard and plastic.
- Lids: open top, easy open, easy peel.
- Available for special application: atmospheric, steam vacuum, CO₂, and liquid N₂.
- Fully automatic height adjustment.

Design construction

- Full AISI 304 stainless steel construction.
- Strong structure to guarantee absence of vibration in any working condition.
- Seaming system controlled by a desmodromic cam, ideal for high speed performance.
- Innovative fully automatic lubrication system.
- Available with 3, 4, 6, 8, 10, 12 multi heads configuration.
- Chucks and rolls manufactured in stainless steel or STOODY coated with titanium nitride (option).



New Protection Design

THE HYGIENIC AND SAFETY EVOLUTION

Protections with sealed area for:

- Steam reduction group.
- Compressed air reduction group.
- Electricity.
- Lubrication system.
- CO₂ feeding system (for carbonated beverages).
- Easy accessibility for cleaning change-over maintenance.

Clean design

ZACMI seamers respect the highest standard in terms of cleaning and hygiene design:

- Fully washable design with WIP (Washing In Place) system specially designed for beverage or difficult product application.
- Automatic base washing during production.
- Option for CIP foaming cycle.



SEAMER CLEAN DESIGN

Features and Advantages



1

Features:

Centralized automatic lubrication with closed circuit oil recirculation, pressurized oil tank and ducted independent distribution system.

Advantages:

Automatic control of all lubrication points.

2

Features:

Roll oil lubrication.

Advantages:

Special bearings are no longer necessary, reduced maintenance cost.



Features:

Water/oil separation system with water presence sensor and automatic water discharge (optional).

Advantages:

Prevents water presence in the lubrication system, reducing the risk of rusting and oxidation.

3

4

Features:

Lid guides with individual replaceable wear plates.

Advantages:

Specific maintenance with consequent cost reduction.

5

Features:

Chain drive system in plastic material.

Advantages:

Longer life. No corrosion risk by aggressive products.

Features:

Rapid seaming pressure regulation system.

6

Advantages:

No need to disassemble the plate from the outside.



7

Features:

Dedicated space for the pneumatic plant situated inside the protection.

Advantages:

Easy maintenance. Rapid disassembly of the chuck-holding shaft.

Major accessibility, easy cleaning and maintenance.

8

Features:

New lid-feeding design.

Advantages:

Easier change-over regulation.

9

Features:

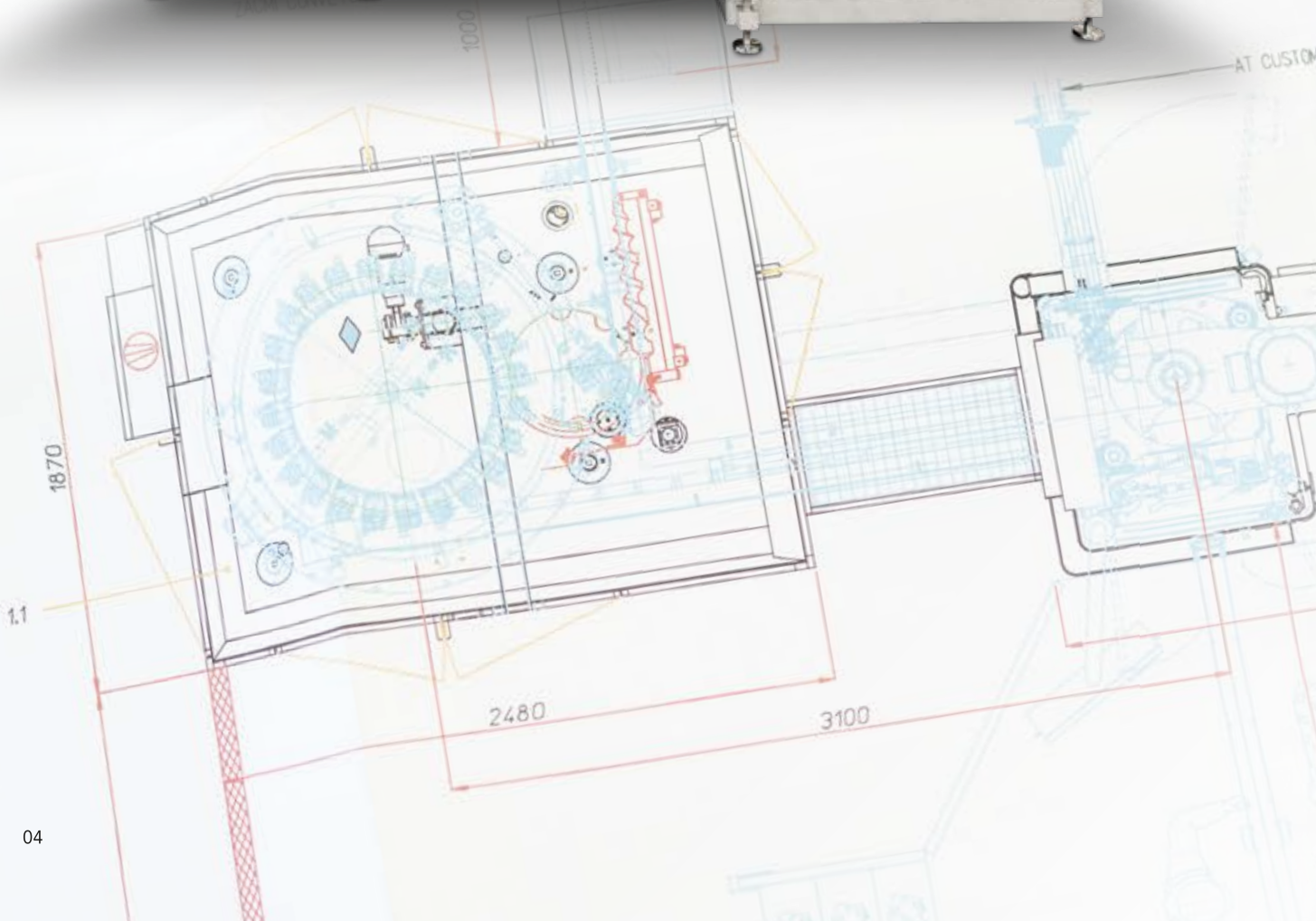
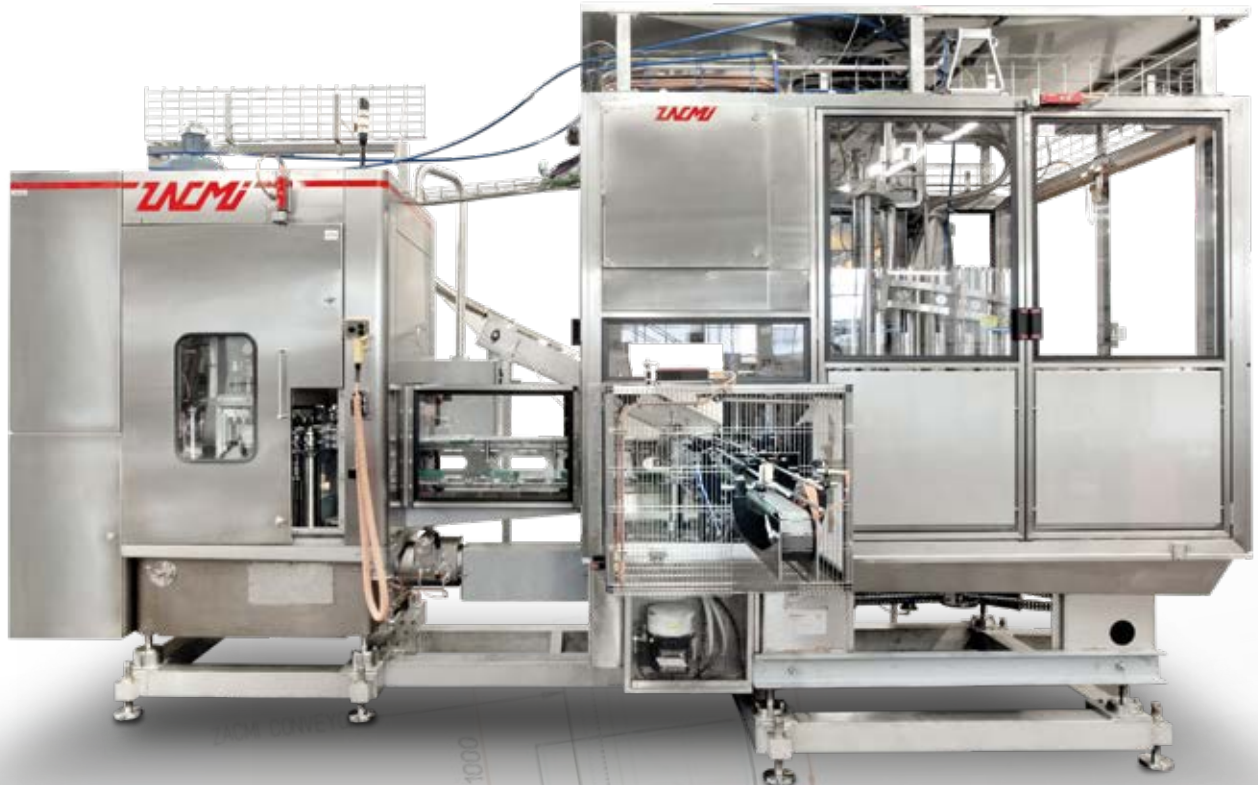
Lid-feeder knife height adjustment system.

Advantages:

No need for the use of spacers.

Flexible CONFIGURATION

All ZACMI Seamers are available in stand alone configuration or **mechanically/electronically** synchronized with any kind of Filler.





D.S.M. for Seamers

ZACMI Double Seaming Monitoring controls the can seaming performance in real time.

Special sensors are mounted on the second operation cam, recording force signals measurement and detecting in real time any potential out of range seaming operation or can and lid defects, such as:

- Badly seamed due to damaged flanges.
- Presence of a foreign body between can body and lid, etc.

The new DSM system allows data exporting, collection and result reproduction even remotely, that may be analyzed by ZACMI technicians.

ADVANTAGE

Through the measure of the real force applied on each seaming head, D.S.M. can be used for **easy machine setting adjustment**, allowing long life running for chucks and rolls.

Multi-Head Vacuum Seamer

Designed for products sensitive to air, such as corn, peas, meat, fish, grain products, etc.

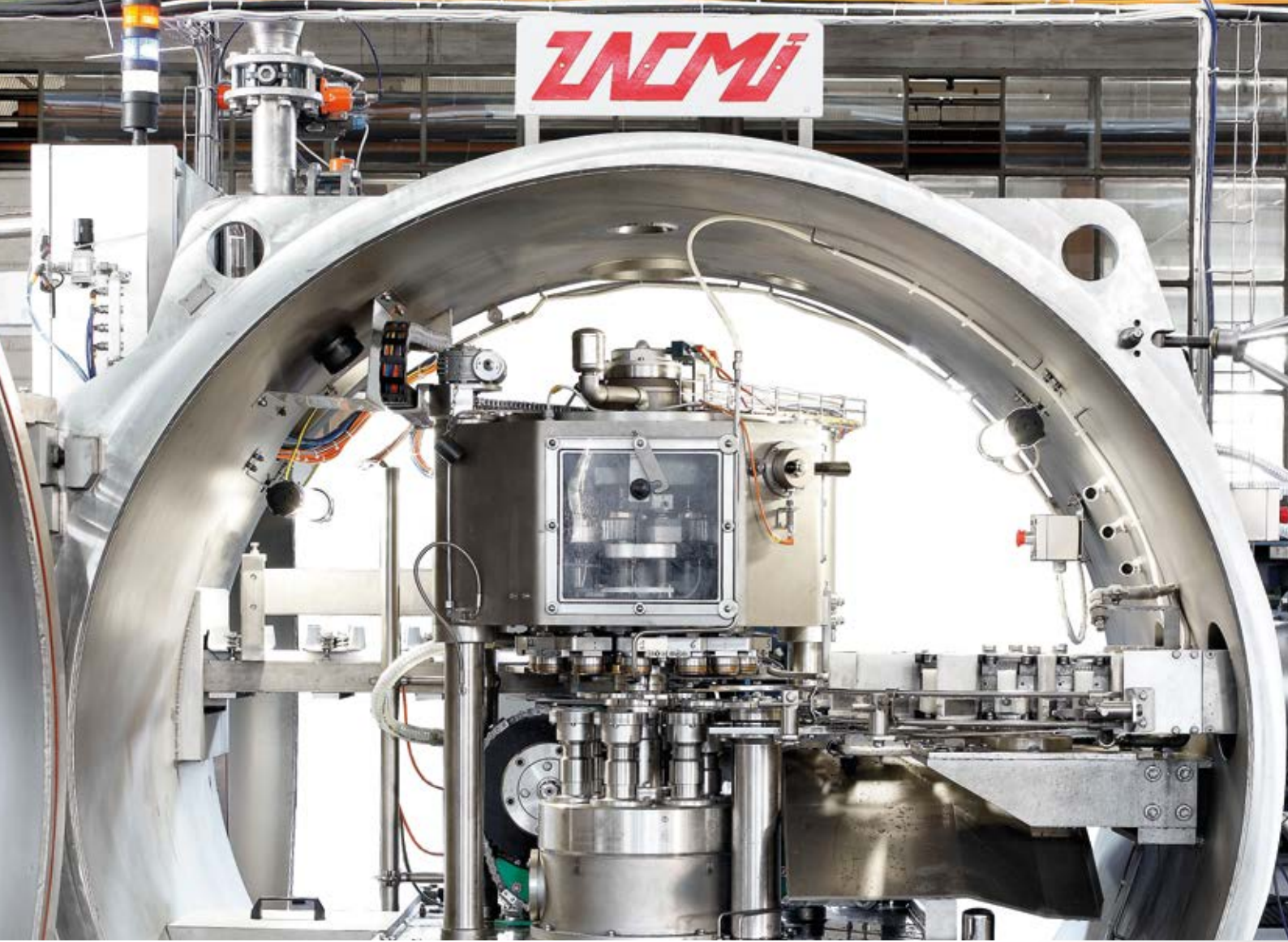


General features

- **Fully automatic oil lubrication** designed to operate under vacuum.
- **Automatic** water draining.
- The drive motor is outside the vacuum chamber.
- **Strong mechanical design** with fully stainless steel vacuum chamber.
- No liquid or solid product spillage from cans during high-speed operation.
- **Suitable for traditional seaming operation with no vacuum atmosphere.**

Advantages

- Easy access for the operator.
- **Special infeed conveyor**, minimum maintenance and reduced conveyor weight and wear.
- Long-running operation with minimum level of required maintenance.



High sanitary standard

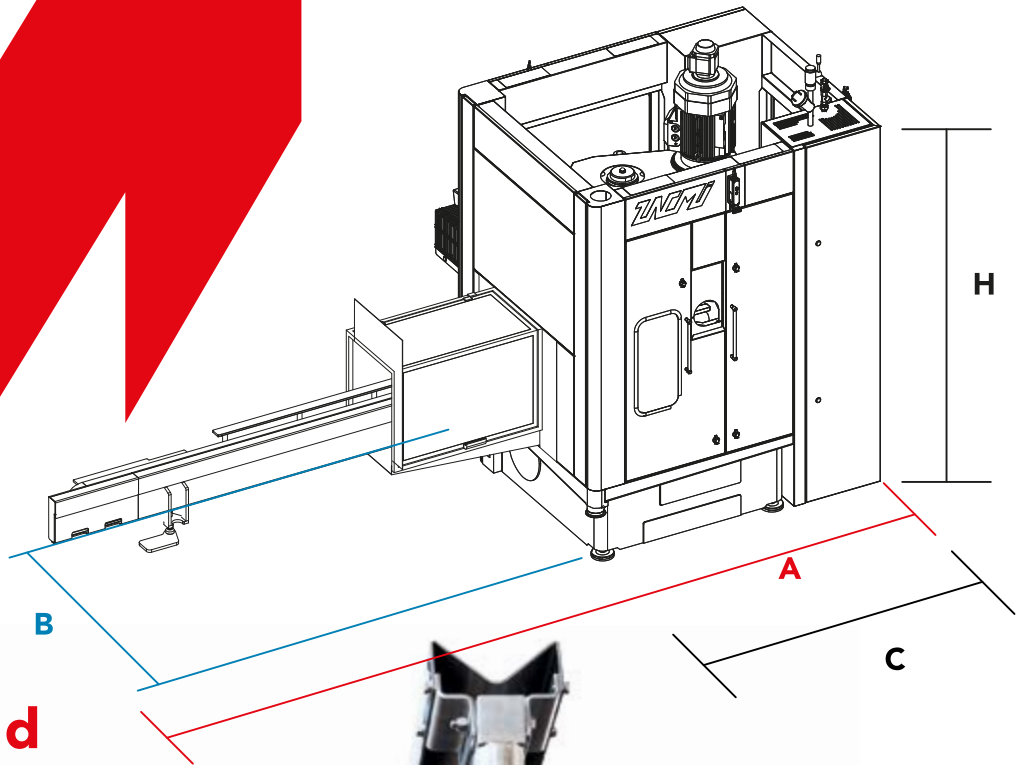
- **Full solid stainless steel** construction of the seamer and vacuum chamber.
- **Special design** to avoid product spillage.
- **Inclined base-frame** for easy cleaning.
- Fully washable materials.

Performances

- Speed range up to 600 c.p.m.
- High vacuum in the chamber: 0.9 bar relative pressure.
- 24-hour non-stop production.

Versatile container application

- Wide range of Round Steel can sizes.
- Lids: Open Top, Easy Open.
- Product Applications: vegetable products (sweet corn, beans).



Multi-Head Seamer

TECHNICAL DESIGN



Multi-Head Seamer

TECHNICAL DATA

Traditional version

M - Food B - Beverage V - Vacuum

APPLICATION (*)			MODEL	CHUCKS	DIMENSION (mm)			
M	B	V		No.	A	B	H	C
•			0620-*-003	3	3100	1050	2700	1280
•	•		0621-*-004	4	2700	1050	2700	1280
•			0621-*-022	2+2	2700	1050	2700	1280
•	•		0623-*-006	6	3100	1260	2700	1450
•			0623-*-033	3+3	3100	1260	2700	1450
		•	0623-*-006	6/3+3	5200	3000/6400	2400	3300
•	•		0624-*-008	8	3100	1260	2700	1450
•			0624-*-044	4+4	3100	1260	2700	1450
		•	0624-*-008	8/4+4	5200	3000/6400	2900	3300
•	•		0626-*-010	10	4200	2050	2100	2300
•	•		0627-*-012	12	4200	2050	2100	2300

Clean design version

M - Food B - Beverage

APPLICATION (*)		MODEL	CHUCKS	DIMENSION (mm)			
M	B		No.	A	B	H	C
•		0620-*-003	3	3100	1440	2900	1740
•	•	0631-*-004	4	2700			
•		0631-*-022	2+2	2700			
•	•	0633-*-006	6	3100			
•		0633-*-033	3+3	3100			
•	•	0634-*-008	8	3100			
•		0634-*-044	4+4	3100			

ZACMI[®]
FOOD & BEVERAGE PLANTS

Multi-Head Seamer



Zanichelli Meccanica s.p.a.
Via Mantova, 65 - 43122 Parma (Italy)
Ph (+39) 0521.490211

www.zacmi.com