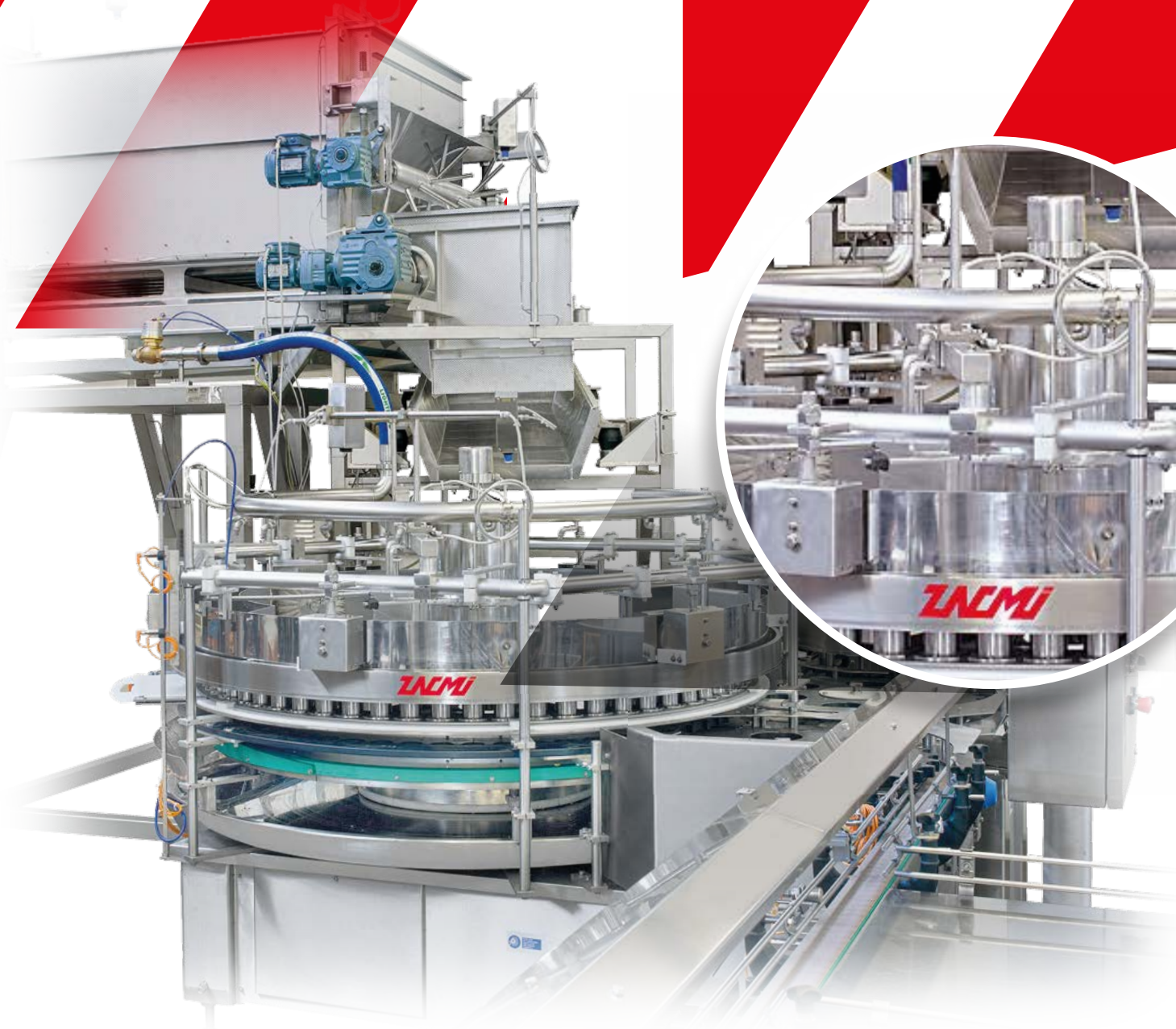


# Pocket Filler

Volumetric filling for  
**solid** products

ZACMI

**ZACMI**®  
*FOOD & BEVERAGE PLANTS*



## ZACMI Pocket Filler

SOLID

**Product oriented:** Pocket fillers are suitable to fill a wide range of solid products, with customized tools specifically designed for vegetables, meats, fruit and powder filling.

**Versatile container application:** appropriate for any small, medium or large-sized rigid container, such as metal can, glass jar and plastic cup.

**Smart cleaning design:** fast and fully automatic washing/cleaning cycle.

**Highest level of automation:** fully automatic product handling, possibility of high adjustment and volume dosage via recipe selection.



## Telescopic Version

The product is dosed to an adjustable telescope and directly transferred in the container. Perfect to fill granular products.

### Telescopic Version VIBRATING CONE

The product is dosed to an adjustable telescope and transferred to the container through vibrating cone.

The cone application permits the use of telescopes with larger diameter than the mouth of container.

Perfect to fill difficult products as cucumbers, vegetables strips etc.



### Semi Telescopic Version FIXED BUSHING

The product is dosed directly into the container; the volume is determined by adjusting the insertion of the semi-telescopic in the container.

### Semi Telescopic Version VIBRATING BUSHING

Equipped with an individual container-lifting system, with vibrating device to assist the product settlement inside the container. Perfect to fill difficult product in the difficult container.

## CUSTOMIZED FOR YOUR PRODUCT!

Zanichelli Meccanica S.p.A., has an in-house R&D department, able to optimize any product filling, through pilot plant simulation.

Through design and choice of specific tools, ZACMI Telescopic Filler reaches the highest level of filling accuracy to satisfy Customer specifications.

## Spice Dispencer

- Designed to dose automatically dry spices or small size products.
- Suitable for micro dosing filling, with high accuracy performance.



## Tamping Device SYSTEM

A special device integrated into the ZACMI Semi-telescopic Fillers, designed to handle difficult products such as: shredded carrots and celery, peppers, soya beans and mixed vegetables.



## Granular and Powder PRODUCT FILLER

**Special Telescopic Filler** designed to dose granular or powder products into rigid containers; equipped with individual plate lifting system and vibrating device for product settlement inside the container.



## Multi-filler CONFIGURATION

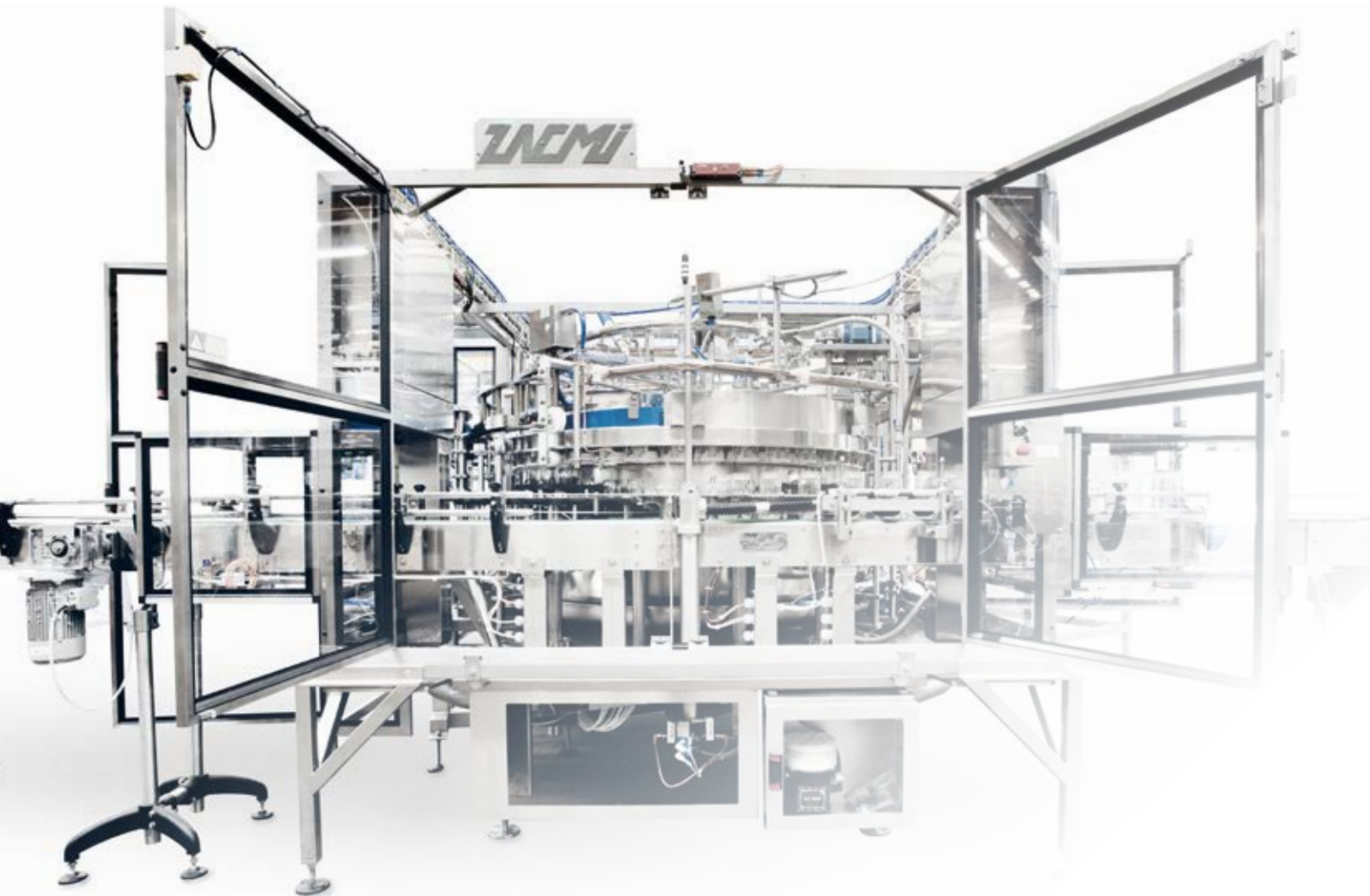
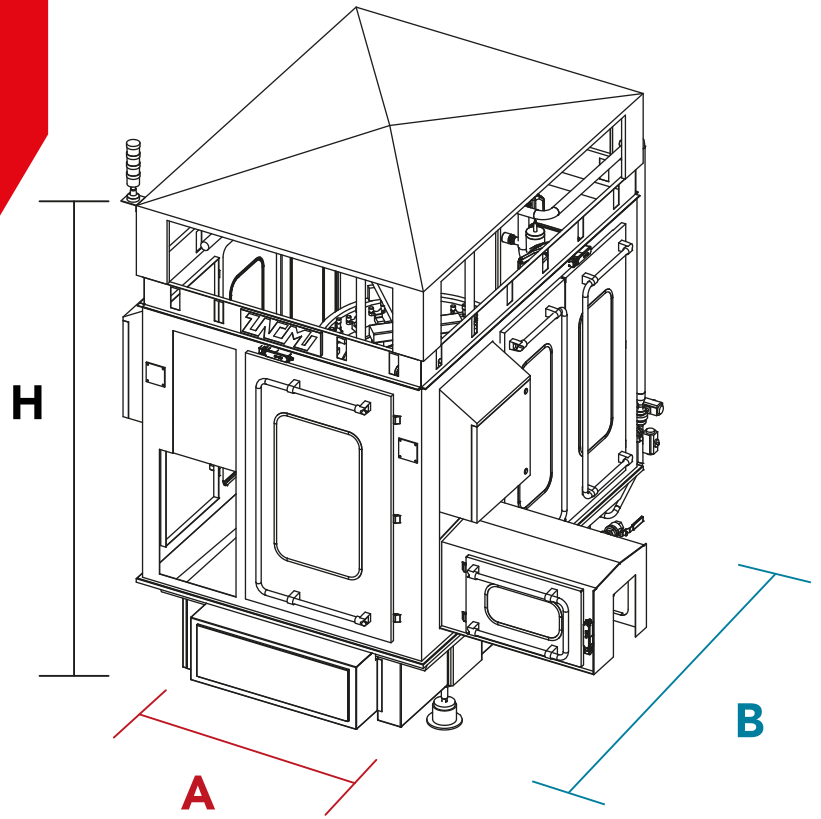
Based on telescopic technology, multiple filling stations capable to fill up to 5 single products into rigid container, such as fruit cocktail in cups/cans or different vegetables in glass jars.





# Pocket Filler

TECHNICAL DESIGN



# Pocket Filler

## TECHNICAL DATA

### Telescopic/Semitelescopic

MODEL	CONTAINER PATH DIAMETER	TELESCOPES	DIMENSION (mm)		
	mm		No.	A	B
0201	1280	12 - 20 - 28 - 36 - 44	2140	2760	2200
0233	1720	24 - 32 - 36 - 40 - 44 - 48 -56 -60	2900	2850	2200
0276	2100	39 - 45 -52 -60 -72	3350	3150	2200
0275	2650	50 - 60 -74 - 92	3840	3650	2200
0274	3500	77 - 84	5250	4500	2200

### Telescopic/Semitelescopic for powder

MODEL	CONTAINER PATH DIAMETER	TELESCOPES	DIMENSION (mm)		
	mm		No.	A	B
0284	960	12	1600	2800	2300
0282	1560	20	2200	3400	2300

### Multi-filler

FILLER STATION	MODEL	CONTAINER PATH DIAMETER	TELESCOPES	DIMENSION (mm)		
No.		mm	No.	A	B	H
3	1062	1000	14 - 24 - 28	5720	1170	2200
5	1062	1000	14 - 24 - 28	8250	1170	2200
5	1064	1280	30	6320	2065	2200

**ZACMI**<sup>®</sup>  
*FOOD & BEVERAGE PLANTS*

# Pocket Filler



Zanichelli Meccanica s.p.a.  
Via Mantova, 65 - 43122 Parma (Italy)  
Ph (+39) 0521.490211

[www.zacmi.com](http://www.zacmi.com)