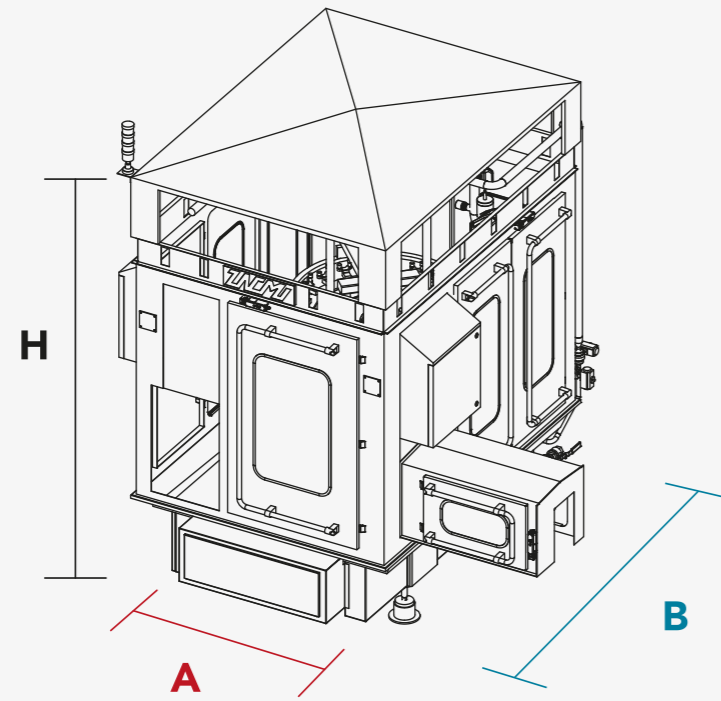


Piston Filler

Volumetric filling
for liquid and viscous products



Piston Filler

TECHNICAL DATA

Piston filler VR - Rotary Valve

MODEL	Ø	HEADS	DIMENSION (mm)		
	mm		No.	A	B
0293	700	6 - 12 - 16 - 20	2000	1550	2800
0296	700	8	2000	1550	2800
0289	960	12 - 20 - 24 - 28	2250	1850	2800
0288	1280	16 - 20 - 28 - 32 - 40	2400	2350	2800
0295	1560	40	3000	2800	2800
0297	2160	60 - 64 - 68	3900	3700	2800

Piston filler VV - Vertical Valve

MODEL	Ø	HEADS	DIMENSION (mm)		
	mm		No.	A	B
0290	960	12 - 16 - 20 - 24 - 28	2250	1850	2800
0294	1280	16	2400	2350	2800
0291	1400	36 - 40	2850	2800	2800
0238	1560	52	3000	2800	2800
0298	2160	60 - 68	3900	3700	2800

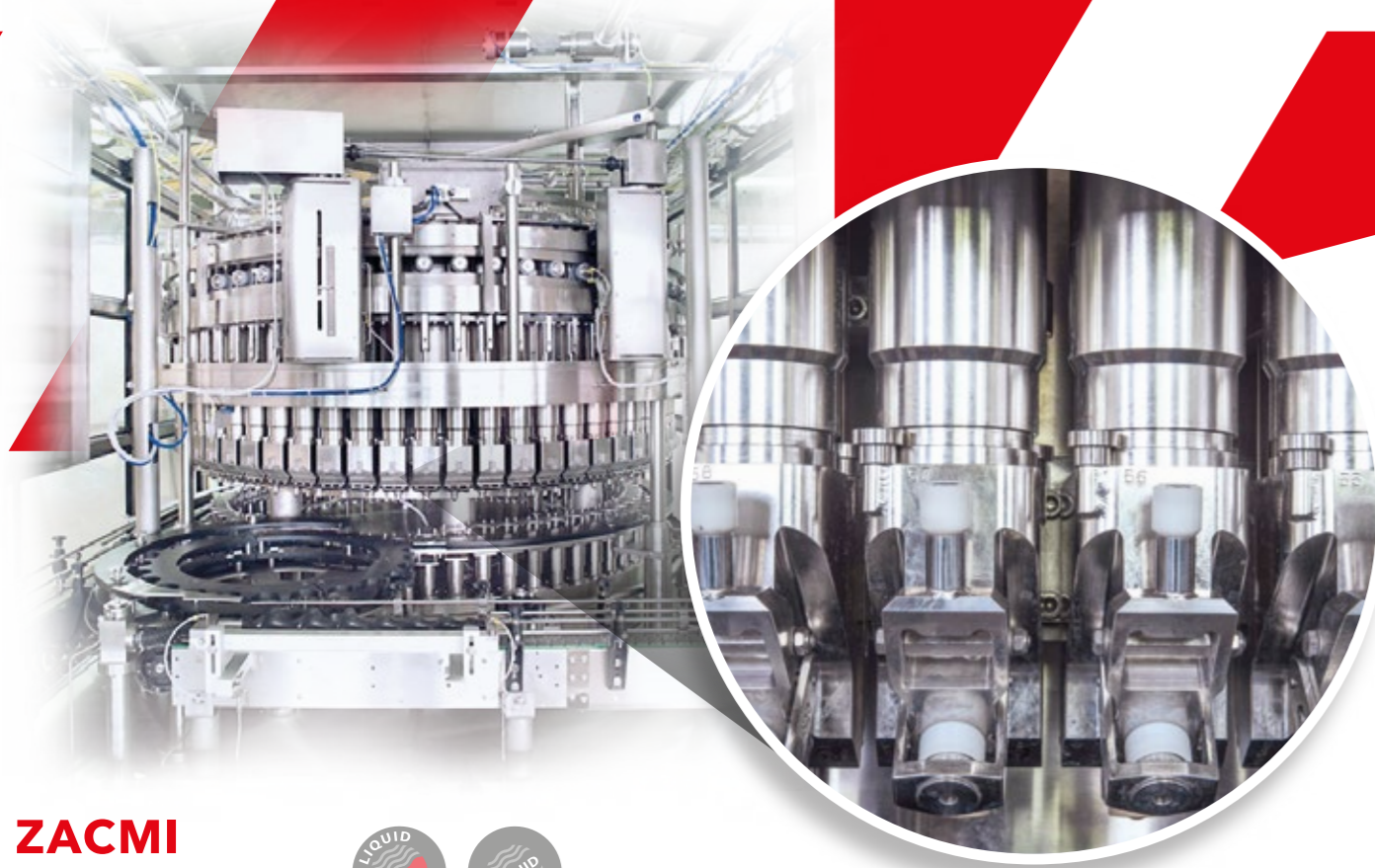
Linear Piston filler

MODEL	HEADS	DIMENSION (mm)		
	No.	A	B	H
0220	3	1300	2000	2800
0220	6			



Zanichelli Meccanica s.p.a.
Via Mantova, 65 - 43122 Parma (Italy)
Ph (+39) 0521.490211

www.zacmi.com



ZACMI Piston Filler



Product oriented: developed and designed to fill liquid or viscous and pumpable products, with or without suspended solids.

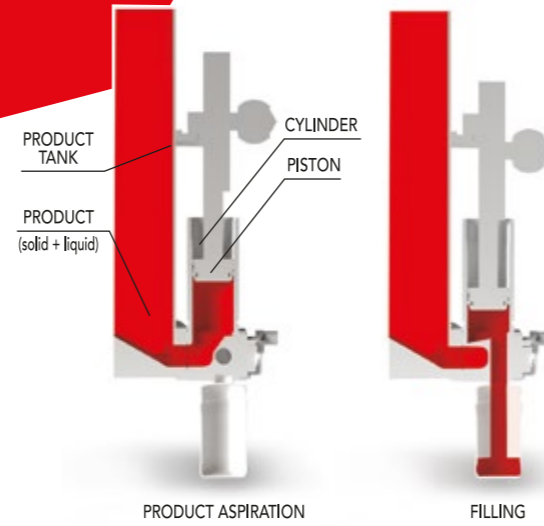
Hygienic design: automatic internal C.I.P. and external washing W.I.P.

Versatile container application: handling of any rigid container in various material such as glass/plastic jars, glass bottles, steel/aluminium cans.

General features

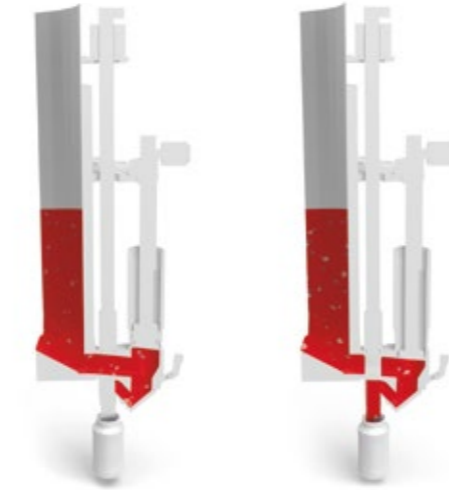
- Volume dosage from 500 to 3000 g.
- Filling speed up to 1000 c.p.m.
- AISI 304 stainless steel construction.
- The part in contact with the product are made in AISI 316 stainless steel.
- Quick and automatic valve cleaning cycle.
- Automatic external surface cleaning cycle.
- Low electric consumption.
- Reduced footprint design.
- Also available in Linear configuration for reduced footprint in low capacity requests.

Customized layout: available in stand alone configuration or mechanically/electronically synchronised, with the full range of ZACMI Seamers, or in Monoblock configuration, which are integrated rinser, capper.



PRODUCT ASPIRATION

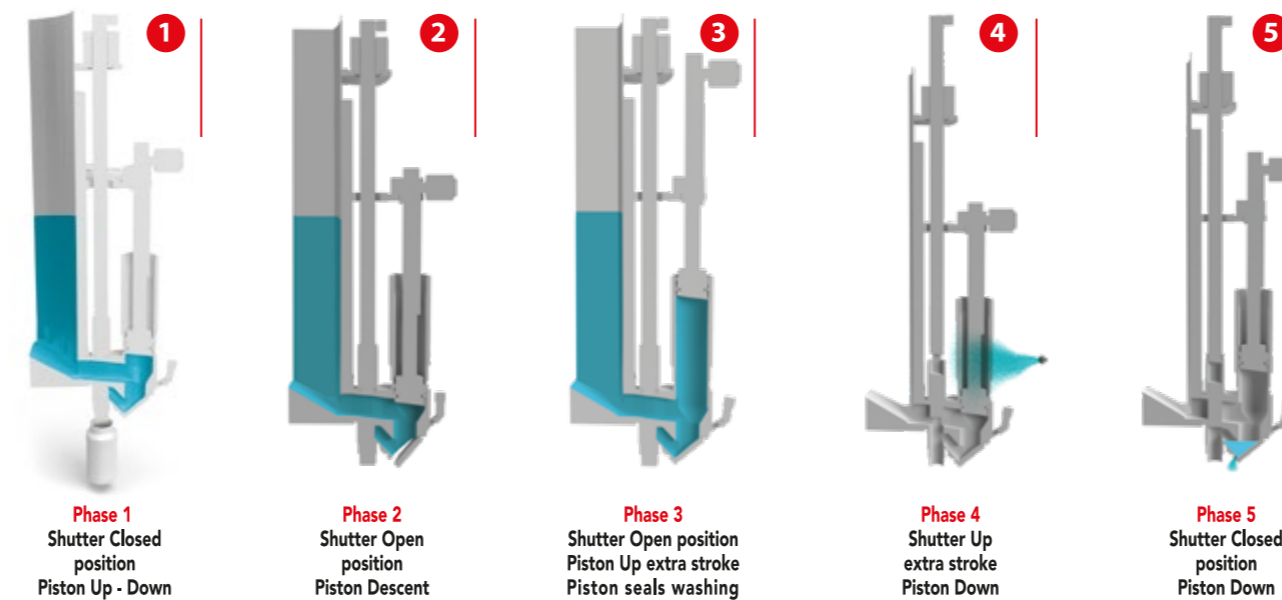
FILLING



PRODUCT ASPIRATION

FILLING

Washing Phases



Phase 1
Shutter Closed
position
Piston Up - Down

Phase 2
Shutter Open
position
Piston Descent

Phase 3
Shutter Open position
Piston Up extra stroke
Piston seals washing

Phase 4
Shutter Up
extra stroke
Piston Down

Phase 5
Shutter Closed
position
Piston Down

Rotary Valve Piston Filler

BENEFIT	ADVANTAGES
Simple design	Low maintenance and easy operation
Automatic dosing adjustment	Accurate dosing to prevent wastage of product
Volumetric filling	No need for weighing equipment
Easy dismantle spare parts design	Fast dismantling phase for easy and full clean phase
RECOMMENDED FOR Medium, high filling speed of liquid, viscous or thick pumpable products such as tomato paste, jam, ketchup etc.	

Vertical Valve Piston Filler (ZACMI Patented)

BENEFIT	ADVANTAGES
No spare parts disassembling	Fast and fully automatic cleaning cycle
Syphon concept	High filling accuracy even with very viscous product and low speed
No hidden point design	Fully washable and hygienic system
Adjustable dosing nozzle	High filling accuracy
RECOMMENDED FOR High level of hygienic requirements for sensitive products, such as baby food, paté, etc. or in presence of particles and pieces (goulash, tomato in suspended solid, etc.)	

